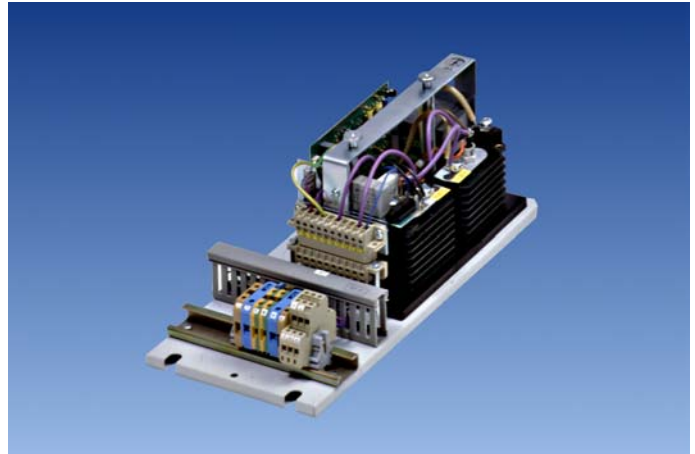


Plug-in dimmer modules with load capacities of 3 kW (type TH 3 kW)

The dimmer plug-in modules type TH 3 kW are operating in the phase-control mode, with 2 thyristors, integrated harmonics filter and a suppression better than grade "N" according to VDE 0875/N.

The modules are suitable for the dimming control of incandescent lamps, high-voltage halogen lamps, low-voltage halogen lamps with wire-wound transformers and neon lamps with high-voltage transformers (please observe the power factor).



The plug-in modules are all of the same size and shape – independent of their load capacity. In order to avoid a plug-in of a module not corresponding with the base they are electronically interlocked so that only the corresponding components are fitting together.

Each dimmer has an autonomous power supply and separate minimum/maximum adjustment with trimmer potentiometers.

They have a 0 – 10V DC interface or can be operated with a rotary potentiometer with integrated ON/OFF switch.

In combination with dim-actuators the TH-dimmers are suitable for EIB-systems (see type IBDAS and other dim-actuators – technical handbook ALTENBURGER EIB-systems).

Load amplification

Up to 3 load modules can be combined in order to achieve a power amplification. In this case the potentiometer of 2 modules would not be connected. All 3 modules are jointly controlled with the potentiometer of 1 dimmer. The distribution of loads on the different phases is of no importance.

With a master control unit (see type "AQ-S") up to 40 load modules of any load capacity can jointly be controlled.

Plug-in dimmer modules with load capacities of 3 kW (type TH 3 kW)

Technical Data

Type:	TH 3 kW
Order-No.:	51.02.001
Power supply:	230 V~, 50Hz
Nominal load:	3,5 kW
Max. output current:	16 A
Protection:	MCB 16A
Min. load:	incandescent lamps 60W
Ambient temperature:	max. 45°C, natural air-convection (vertical mounting)
Terminals:	0,5mm ² - 4mm ² , solid wire or litz wires with sleeves
Wire length:	max. 100m
Own consumption:	<1,5% of the connected load
Control voltage:	0...10V (0...20V) – galvanic seperated no protective extra low-voltage (base isolation according to IEC 664, 10/92)
Weight:	approx. 3,5 kg
Dimensions:	see dimensional drawing
Noise level:	< 55dB(A) at nominal load in a distance of 1m
Protective type:	IP00
Contamination grade:	2 (dry, non-conductive according to IEC 664, 10/92)
Requirements:	EMV-requirements fulfilled in compliance with EN 61547 4/96 Low-voltage according to IEC 669-2-1 11/94
Guarantee:	24 months

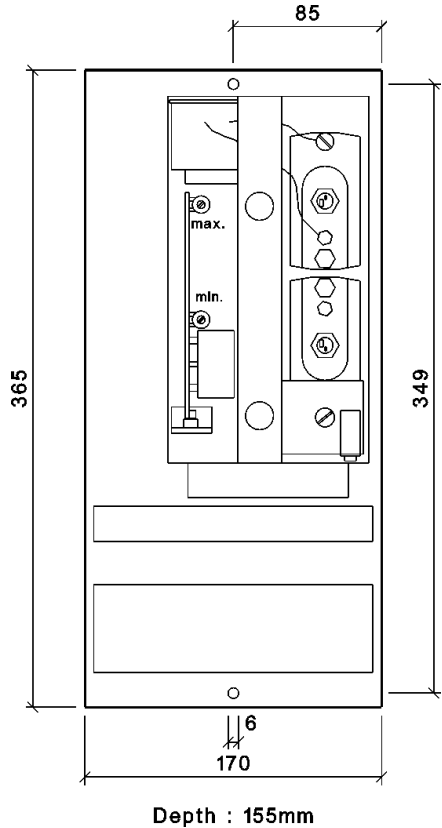
In rooms where audio-systems shall be wired the following has to be observed:

- Separate safety-earth for dimming controls and audio-systems are mandatory.
- No parallel wiring of both systems

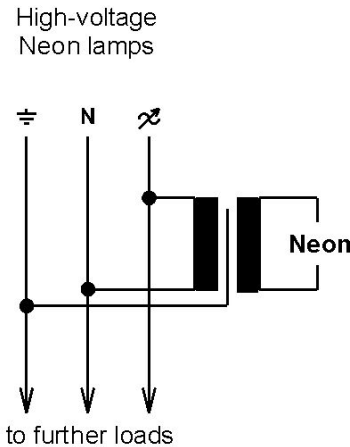
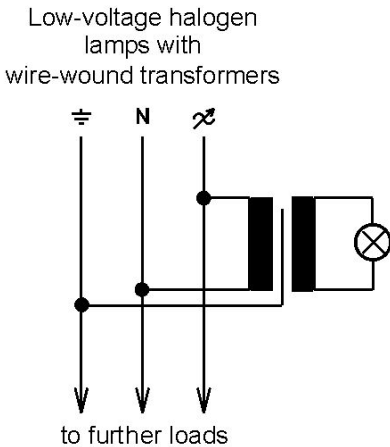
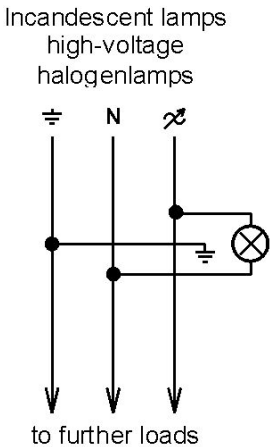
(please ask for instruction sheet)

Plug-in dimmer modules with load capacities of 3 kW (type TH 3 kW)

Measures:



Wiring of different load:



Plug-in dimmer modules with load capacities of 3 kW (type TH 3 kW)

Wiring diagram:

