

IR-remote control , type NSIR

The NSIR is suitable for 5 IR-commands. It comprises 3 components:

1. IR- and radio control type IR-ST/S, order-no.: 50.13.142
2. IR-Sensor, type IR-ES/R, order-no.: 50.13.043
3. IR-Transmitter, type IR-S/S, order-no.: 50.13.060

The transmitter has a minimum number of 5 keys, a maximum of 35 keys. Manyfold functions can be performed. For example:

- **5 lighting circuits** can respectively be controlled with the **NS1** or the **NS1-S** function (Brighter-Darker-ON/OFF) - electronic.
- **1 circuit** can be controlled with the function of the **NS2-X** or **NS 2-SX** (Brighter-Darker-ON/OFF) - with integrated relay.
- **1 circuit** with the function of the **NS4** or **NS4-S, NS4WV** or **NS4WV-S** (Brighter-Darker-Stop-Preset or 4 x preset).

For each room just one IR system can be installed.

An extension of the min. of 5 channels to a max. of 35 channels is possible. For the max. of 35 channels however 7 IR-control modules would be required. The channel selection is made with a selector switch at the outside of the module (see wiring diagram page 44).

The distance between IR-transmitter and IR-sensor can be max. 40 m. Up to 3 sensors can be connected for an extension of the recognized distance.

Technical data:

Characterization	IR-control module, type IR-ST/S
Type	: IR-ST/S
Order-no.	: 50.13.142
Power supply	: 230V, 50/60 Hz
Output	: 1 voltage-free normally open contact 4 normally open contacts with one common voltage-free potential max. 230V /1A
Protection	: external 6 A
Ambient temperature	: max. 45°C with natural air-convection at vertical mounting position
Terminals	: 0,5 – 2,5 mm ² , solid wire or litz wire with sleeve
Wire length	: max. 100 m (between control module and IR-sensor)
Own consumption	: approx. 3VA
Housing	: plastic housing for DIN rail systems
Dimensions	: WxHxD = 105x83,5x58 mm
Weight	: approx. 400 gr
Protective type	: IP 20
Contamination grade	: 2 (dry, non-conductive according to IEC 664, 10/92)
Requirements	: EMC met accord. to EN 61547 4/96 Low-voltage met according to IEC 669-2-1 11/94



IR- and radio control module type IR-ST/S, order-no. 50.13.142

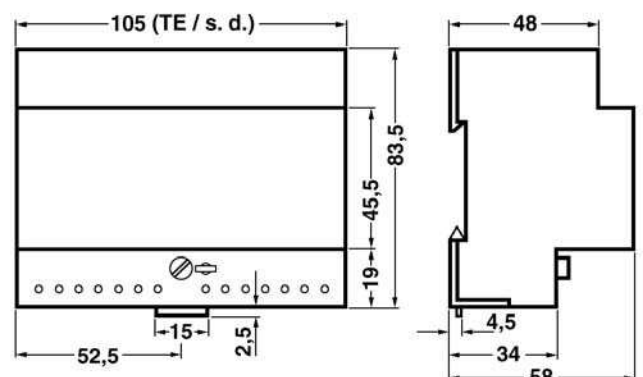


IR-transmitter type IR-S/S
Order-no.: 50.13.060
with 35 channels



IR-sensor-type IR-ES/R, order-no.: 50.13.043

Dimensional diagram IR-ST/S



Wiring diagram

for the IR-and radio remote control type NSIR

IR-control for up to 35 channels

