

# AQ-Control module, type NS 4WV

with 4-preset functions

Order-no: 50.13.016

The NS 4 WV type is suitable for the common control of 40 AQ dimmers.

It has an autonomous power supply. In connection with dimmers 4 different light levels can be selected with pushbuttons.

## Setting of light levels

4 different light levels can be set with the respective potentiometers at the NS4 WV control between 0 and 100 %. The light level selection is made at a pushbutton panel or with individual push-buttons.

The selected light level can be indicated with an indicator lamp.



## Fade time setting

With the potentiometers 'Brighter' or 'Darker' at the panel face of the NS 4-WV the fade times to 'Brighter' or 'Darker' can be set between 3 and 60 secs.

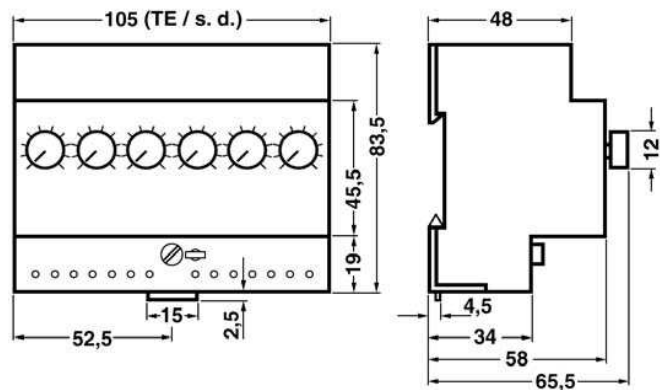
ON/OFF-functions can be made with customary relays or contactors.

(Control panels: see pages 47/48)

## Technical data:

Characterization	Auditorium dimming control NS 4-WV
Type	: NS 4 WV
Order-no.	: 50.13.016
Power supply	: 230V, 50 Hz
Output voltage	: 0 - + 20V
Max. output current	: ca. 40 mA
Protection	: external 6 A
Ambient temperature	: max. 45°C with natural air-convection at vertical mounting position
Terminals	: 0,5 – 2,5 mm <sup>2</sup> , solid wire or litz wire with sleeve
Wire length	: max. 100 m
Own consumption	: approx. 3VA
Control voltage	: (0-20 V) – galvanic separated <b>No protective low-voltage</b> (Basic isolation according to IEC 664, 10/92)
Housing	: plastic housing for DIN rail systems
Dimensions	: WxHxD = 105x83,5x65,5 mm
Weight	: approx. 400 gr
Protective type	: IP 20
Contamination grade	: 2 (dry, non-conductive according to IEC 664, 10/92)
Requirements	: EMC met accord. to EN 61547 4/96 Low-voltage met according to IEC 669-2-1 11/94

## Dimensional drawing for the NS4WV



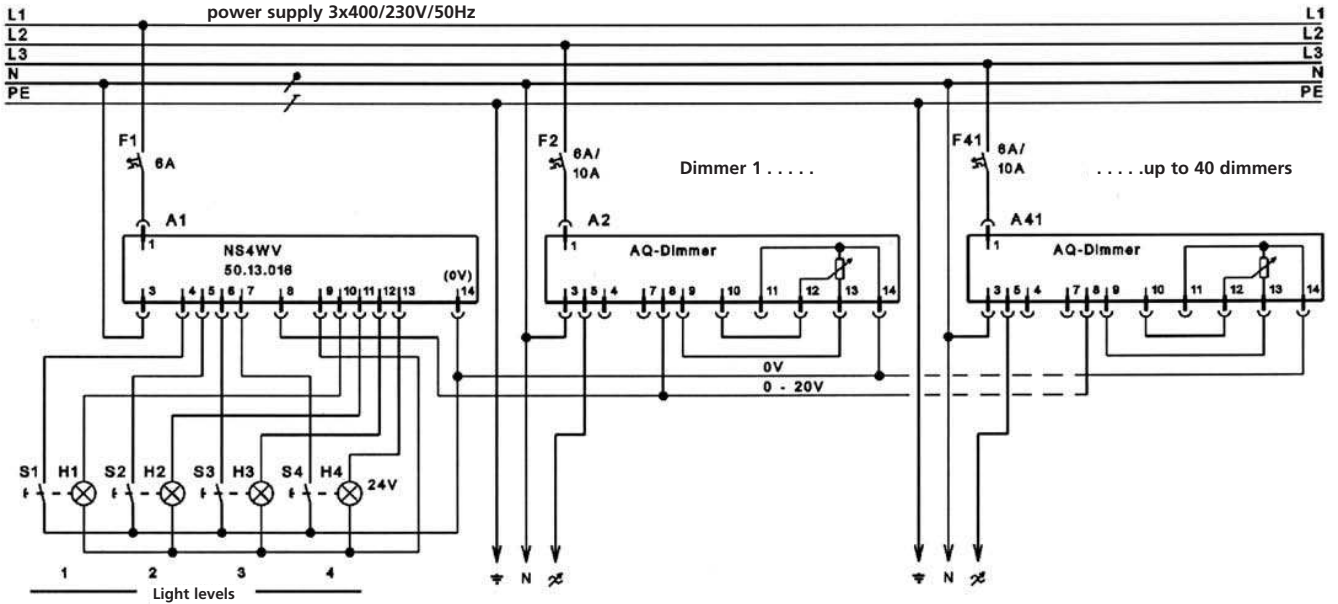
control plates: see pages 47/48

# Wiring diagrams

for NS 4WV controls with 4-preset pushbutton functions

Order-no: 50.13.016

## NS 4 WV-controls for a max. of 40 AQ-dimmers



## NS 4 WV type for the control of max. 40 AQ-dimmers with ON/OFF function

