

# AQ-Control module, type NS 4

with 4-pushbutton functions

Order-No.: 50.13.013

The NS 4 type is suitable for the common control of up to 40 AQ dimmers. The connected load can be controlled with 4 pushbuttons with the following functions:

Pushbutton 1: Lighting goes into its brightest level

Pushbutton 2: Lighting goes into the dark position

Pushbutton 3: Lighting stops during the transfer into brighter or darker

Pushbutton 4: Lighting goes into a level to be set with a potentiometer at the control



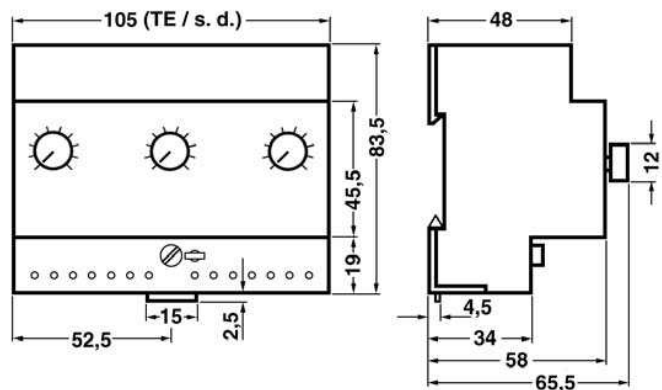
## Preset and fade time setting

A preset level can be set with one potentiometer at the NS 4 control. The other 2 potentiometers are used for setting the fade time into 'Brighter' or 'Darker' within 3 and 60 secs.

## Technical data:

Characterization	Auditorium dimming control NS 4
Type	: NS 4
Order-no.	: 50.13.013
Power supply	: 230V, 50/60 Hz
Output voltage	: 0 - + 20V
Max. output current	: ca. 40 mA
Protection	: external 6 A
Ambient temperature	: max. 45°C with natural air-convection at vertical mounting position
Terminals	: 0,5 – 2,5 mm <sup>2</sup> , solid wire or litz wire with sleeve
Wire length	: max. 100 m
Own consumption	: approx. 3VA
Control voltage	: (0-20 V) – galvanic separated <b>No protective low-voltage</b> (Basic isolation according to IEC 664,10/92)
Housing	: plastic for DIN rail systems
Dimensions	: WxHxD = 105x83,5x65,5 mm
Weight	: approx.400 gr
Protective type	: IP 20
Contamination grade	: 2 (dry, non-conductive according to IEC 664, 10/92)
Requirements	: EMC met accord. to EN 61547 4/96 Low-voltage met according to IEC 669-2-1 11/94

## Dimensional Drawing NS 4



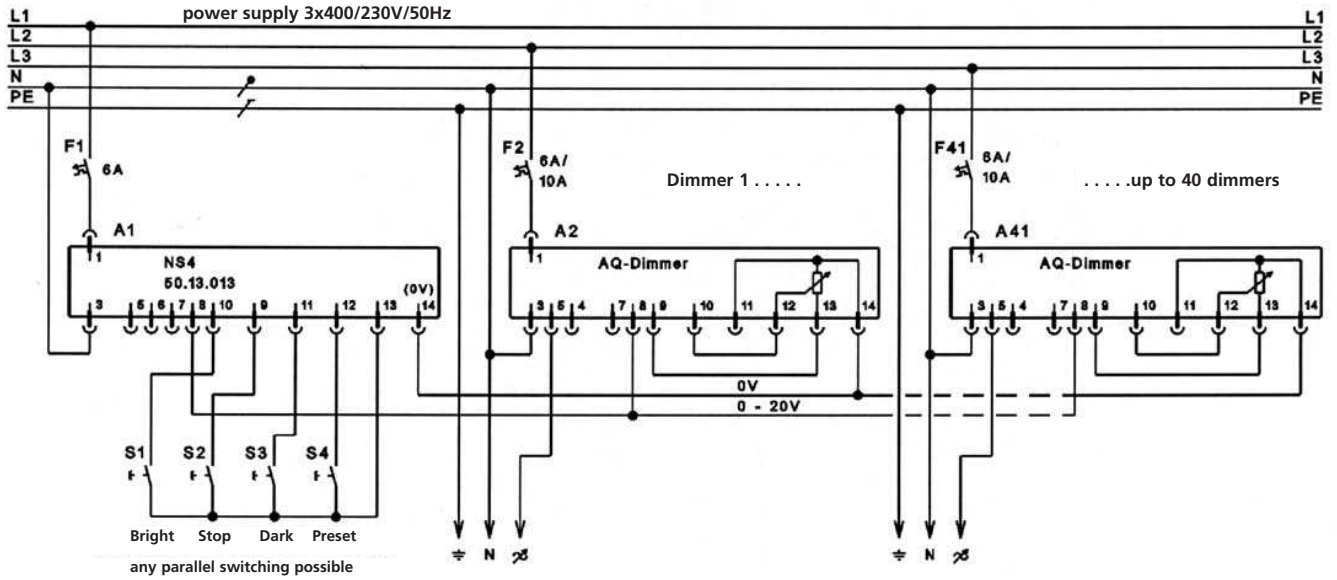
control plates see pages 47/48

# Wiring diagrams

Control type NS 4 with 4-pushbutton functions

Order-no: 50.13.013

## Type NS 4 for the control of a max. of 40 AQ-dimmers



## NS 4 type for the control of a max. of 40 AQ-dimmers with ON/OFF function

