

AQ-Control , type NS 2-X

Auditorium control with direct switching ON/OFF

Order-No.:50.13.030

The NS 2-X is suitable for the common control of up to 40 AQ-dimmers with the following functions:

- 1 x BRIGHTER (lighting goes into its brightest level)
- 1 x DARKER (lighting goes to 0)
- 1 x ON/OFF (details see below)

After release of the pushbutton Brighter or Darker the respective light level is stored. It is achieved again after switching ON. The output voltage can be adjusted between minimum and maximum with 2 potentiometers at the module, such allowing a limitation of the maximum- and minimum light levels.



The 4 rotary potentiometers at the module have the following functions:

- 1 x setting of the maximum brightness not to be exceeded
- 1 x setting of the minimum brightness
- 1 x Fade time ‚BRIGHT‘ (3 - 60 secs between the darkest and brightest level)
- 1 x Fade time ‚DARK‘ (3 - 60 secs between the brightest and darkest level)

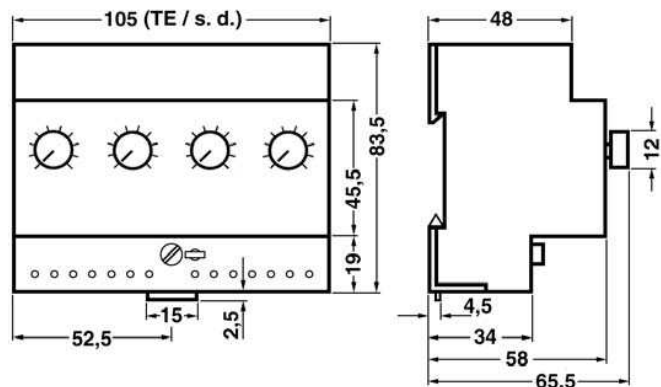
ON/OFF switch

A latching relay with voltage-free normally open contact being integrated in the dimmer switches a maximum of 10 A/250V. For higher loads external contactors or relays have to be connected. Lighting is switched ON at the last set light level. If during the ‚OFF‘ state the buttons ‚BRIGHTER‘ or ‚DARKER‘ are pressed, the light level changes after the switch ON accordingly.

Technical data:

Characterization	Auditorium dimming control NS 2-X
Type	: NS 2-X
Order-no.	: 50.13.030
Power supply	: 230V, 50 Hz
Output voltage	: (0-20 V)
	No protective low-voltage (Basic isolation according to IEC 664, 10/92)
Max. output current	: approx. 40 mA
Switch contact	: integrated latching relay max 10 A/250V
Protection	: external 6 A
Ambient temperature	: max. 45°C with natural air-convection in vertical mounting position
Terminals	: 0,5 – 2,5 mm ² , solid wire or litz wire with sleeve
Wire length	: max. 100 m
Own consumption	: approx. 3VA
Housing	: plastic for DIN rail systems
Dimensions	: WxHxD = 105x83,5x65,5 mm
Weight	: approx.400 gr
Protective type	: IP 20
Contamination grade	: 2 (dry, non-conductive according to IEC 664, 10/92)
Requirements	: EMC met accord. to EN 61547 4/96 Low-voltage met according to IEC 669-2-1 11/94

Dimensional Drawing Control type NS2-X



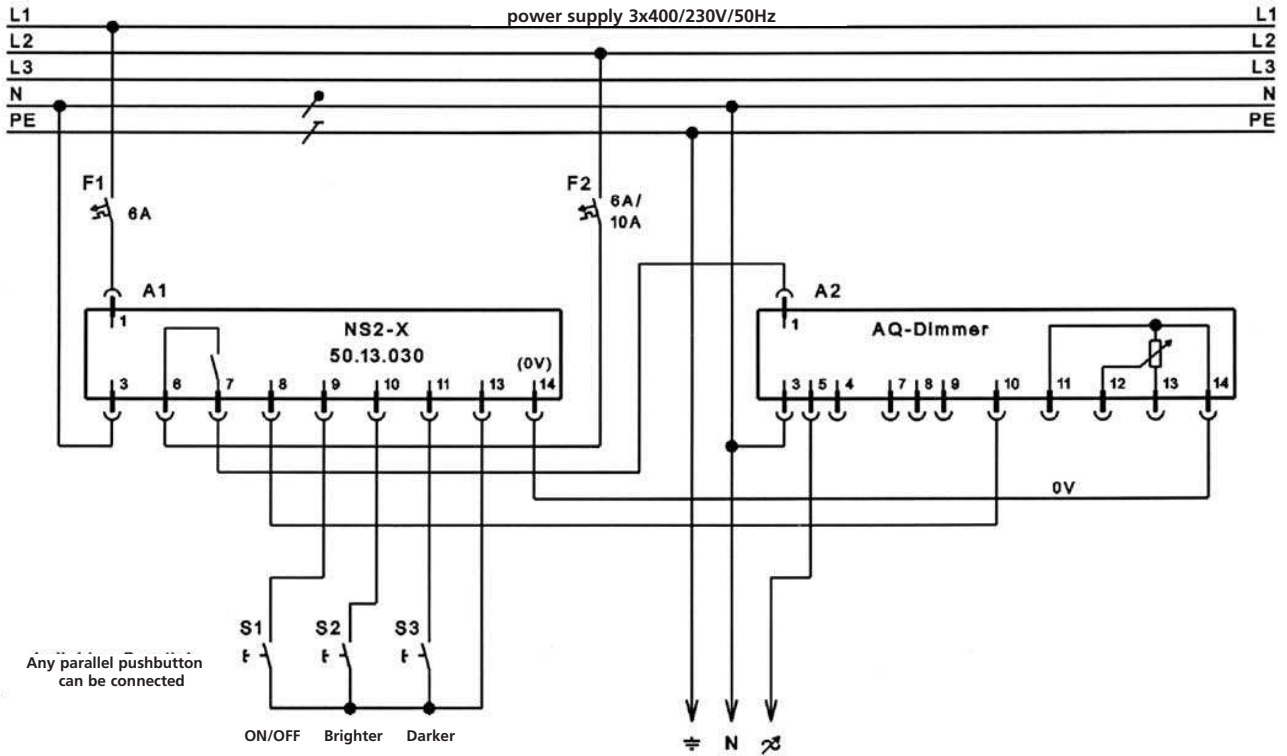
control plates: see page 47

Wiring diagrams

Auditorium Dimming Control type NS 2-X with direct switching ON/OFF

Order-no.: 50.13.030

NS 2-X in connection with 1 AQ dimmer



Control type NS 2-X in connection with max. 40 AQ dimmers

