

# AQ-Control module, type NS 1

For AQ dimmers with 1-pushbutton function

Order-No.: 50.13.015

The NS 1 is suitable for the common control of up to 40 individual ALTENBURGER dimmers.

Functions:

## Dimming

When continuously pressing the button lighting goes up and down. When releasing the button lighting stops at the selected level. The cycle time (0...100%...0) is 20 sec.

Pressing the button short: lighting goes off

Pressing the button short again: lighting goes into the last set light level

.



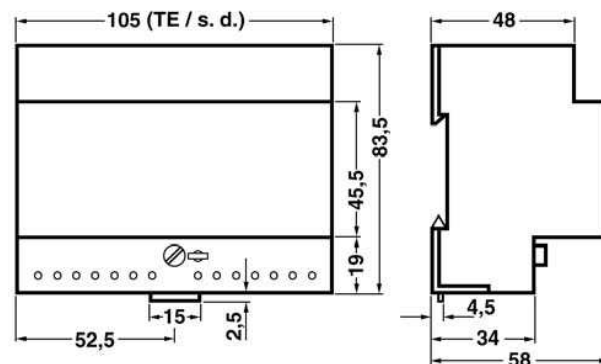
## ON/OFF-switching with external switch devices

With a short touch of the button a relay with voltage-free contact (max. 250V/10A) directly switches the lighting ON/OFF or it can be used for switching a contactor.

## Technical data:

Characterization	Auditorium dimming control NS 1
Type	: NS 1
Order-no.	: 50.13.015
Power supply	: 230V, 50/60 Hz
Output voltage	: 0 - + 20V
Max. output current	: ca. 40 mA
Protection	: external 6 A
Ambient temperature	: max. 45°C with natural air-convection at vertical mounting position
Terminals	: 0,5 – 1,5 mm <sup>2</sup> , solid wire or litz wire with sleeve
Wire length	: max. 100 m
Own consumption	: approx. 3VA
Control voltage	: (0-20 V) – galvanic separated <b>No protective low-voltage</b> (Basic isolation according to IEC 664, 10/92)
Housing	: plastic for DIN rail systems
Dimensions	: WxHxD = 105x83,5x58 mm
Weight	: approx. 400 gr
Protective type	: IP 20
Contamination grade	: 2 (dry, non-conductive according to IEC 664, 10/92)
Requirements	: EMC met accord. to EN 61547 4/96 Low-voltage met according to IEC 669-2-1 11/94

## Dimensional drawing Auditorium Dimming Control type NS1



control plates see page 47

