

# AQ-Control with 1-pushbutton-function, type NS1-S

for electronic ballasts and transformers with 1-10V interface

Order-No.: 50.13.115

This DIN rail dimmer has an autonomous power supply. It is operated with just one (customary) pushbutton.

## ON/OFF switching

By short pressing the pushbutton the internal relay with voltage free contact (max. 10A/220V) is switched ON/OFF. For higher loads the relay switches a contactor.

## Dimmer function

By continuously pressing the pushbutton the output voltage is changed and lighting is dimmed up and down within a cycle time (0...100%...0) of 20 secs. When releasing the button the respectively achieved brightness remains unchanged. A short push switches the lighting off. After switching it on the last set light level will be achieved again.

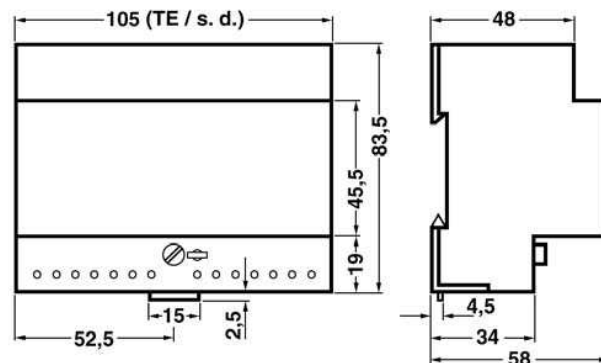


## Technical data:

### Characterization Auditorium dimming control type NS1-S

Type	: NS1-S
Order-no.	: 50.13.115
Operational voltage	: 230V, 50/60 Hz
output voltage	: 0...10V, galvanic disconnection <b>No protective low-voltage</b> (Basic isolation acc. to IEC 664,10/92)
Output current	: max. 200mA
Protection	: external 6 A
Ambient temperature	: max. 45°C with natural air-convection (at vertical mounting position)
Terminals	: 0,5 – 2,5 mm <sup>2</sup> , solid wire or litz wire with sleeve
Wire length	: max. 100 m
Own consumption	: approx. 3VA
Housing	: plastic for DIN rail systems
Dimensions	: WxHxD = 105x83,5x58 mm
Weight	: approx. 400gr
Protective type	: IP 20
Contamination grade	: 2 (dry, non-conductive according IEC 664,10/92)
Requirements	: EMC met accord. to EN 61547 (04/96) Low-voltage met acc. to IEC 669-2-1 11/94

## Dimensional Drawing NS 1-S



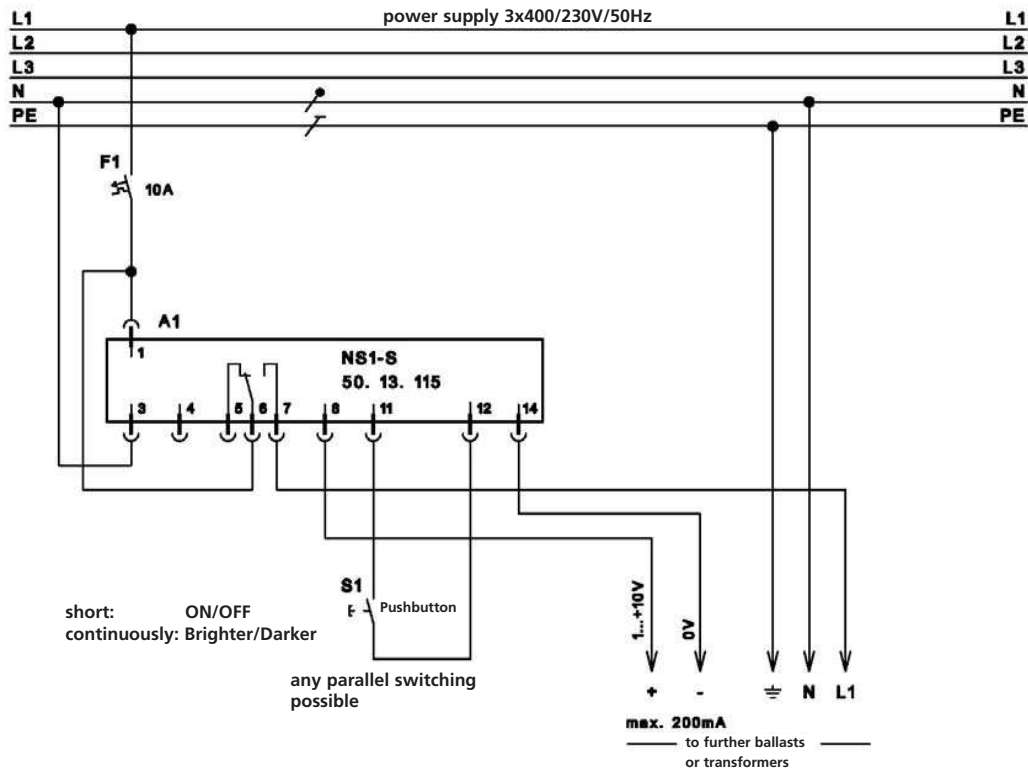
Control plates: see page 47

# AQ-Control with 1-pushbutton-function, type NS1-S

for electronic ballasts and transformers with 1-10V interface

Order-No.: 50.13.115

## Auditorium dimming control, type NS 1-S with ON/OFF Function



## Auditorium dimming control, type NS 1-S with ON/OFF function with external contactor

