

Rotary potentiometers, type DPUO/DPUTO

Order-No.: 51.02.021 / 51.02.022

Rotary potentiometer, recessed type without coverplate and knob for the control of all AQ-dimmer types and AQS master control

Two types are available:

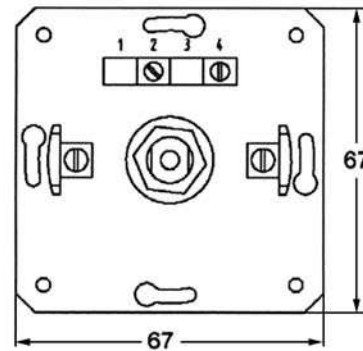
1. Rotary potentiometer with rotary ON/OFF switch
Type DPUO, order-no. 51.02.021
2. Rotary potentiometer with pushbutton type DPUTO,
order-no 51.02.022



Technical data:

Characterization	Rotary potentiometer DPUO, DPUTO
Type	: DPUO, DPUTO
Order-no.	: 51.02.021, 51.02.022
Max. contact load	: 230V/2A
Ambient temperature	: max. 45°C
Terminals	: 0,5 – 2,5 mm ² single wire or litz wire with sleeve
Wire length	: 100 m
Housing	: plastic, with metal front plate
Diameter of the shaft	: 4mm
Dimensions	: WxHxD =67x67x33 mm
Weight	: approx. 50 gr
Protective type	: IP 00
Contamination grade	: 2 (dry, non-conductive according to IEC 664, 10/92)
Requirements	: EMC met accord. To EN 61547 4/96 Low-voltage met according to IEC 669-2-1 11/94
Value of resistance	: 22/25 kv/lin

Dimensional drawings DPUO/DPUTO



Access to terminals 22, 23 and 24 from the back of the module

Wiring diagrams see page 22