

Rotary potentiometers, **type DPU/DPUT**

Order-No.:51.01.021 / 51.01.022

Rotary potentiometer with coverplate and knob for the control of all AQ-dimmer types and AQS master control.

Two types are available:

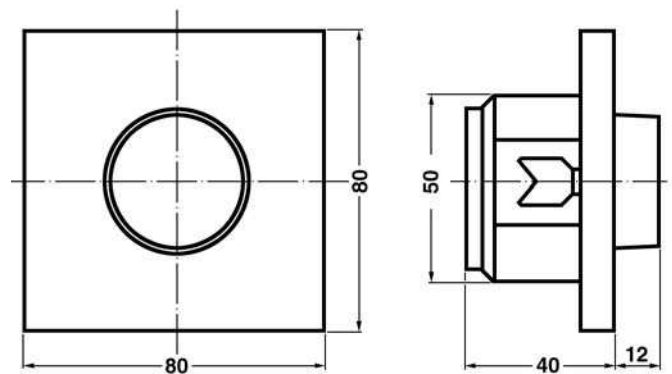
1. Rotary potentiometer with rotary ON/OFF switch
Type DPU, order-no. 51.01.021
2. Rotary potentiometer with pushbutton type DPUT,
order-no 51.01.022



Technical data:

Characterization	Rotary potentiometer DPU, DPUT
Type	: DPU, DPUT
Order-no.	: 51.01.021, 51.01.022
Max. contact load	: 230V/2A
Ambient temperature	: max. 45°C
Terminals	: 0,5 – 2,5 mm ² solid wire or litz wire with sleeve
Wire length	: 100 m
Housing	: plastic with metall front plate, including coverplate and knob
Dimensions	: WxHxD =80x80x40 mm
Diameter of the shaft	: 6 mm
Weight	: approx. 85 gr
Protective type	: IP 00
Contamination grade	: 2 (dry, non-conductive according to IEC 664, 10/92)
Requirements	: EMC met accord. to EN 61547 4/96 Low-voltage met according to IEC 669-2-1 11/94
Value of resistance	: 22/25 k Ω /lin.

Dimensional drawing DPU/DPUT

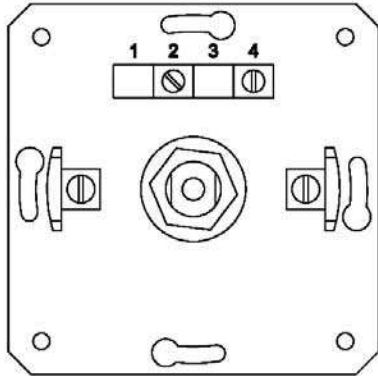


Wiring diagrams

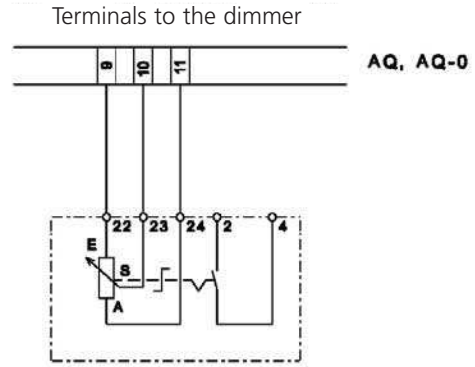
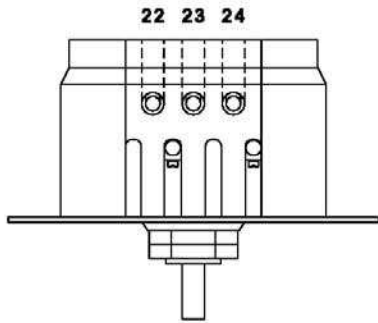
Rotary potentiometers, type DPU/DPUT

Order-No.:51.01.021 / 51.01.022

Rotary potentiometer DPU

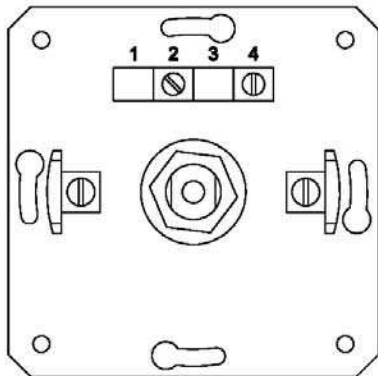


Terminals 22, 23 and 24 also can be wired to the back plate

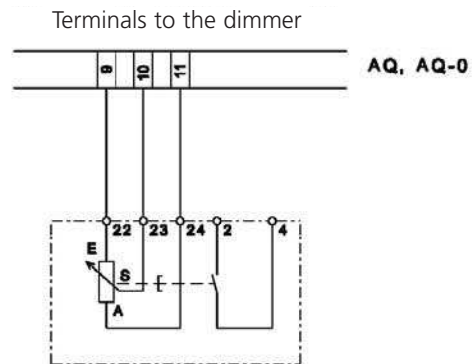
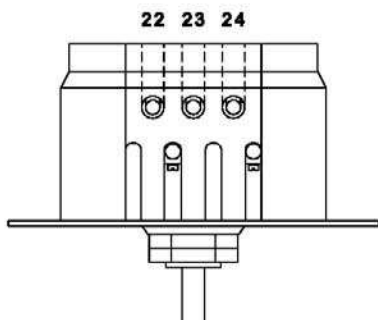


rotary potentiometer with rotary ON/OFF switch
Order-no.: 51.01.021

Rotary potentiometer DPUT



Terminals 22, 23 and 24 also can be wired to the back plate



rotary potentiometer with ON/OFF pushbutton
Order-no.: 51.01.022