

Rotary potentiometers, type DPO/DPOT

Order-No.: 51.01.019 / 51.01.020

Rotary potentiometer with knob and scale for the (remote) control of all AQ-dimmer types and AQS master control

Two types are available:

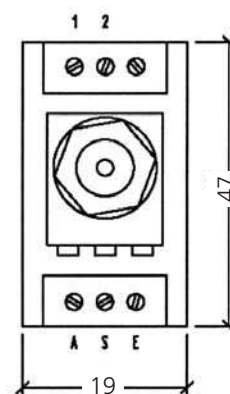
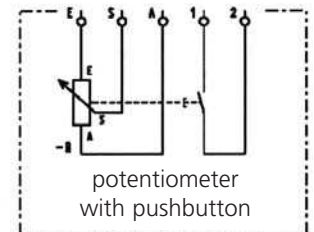
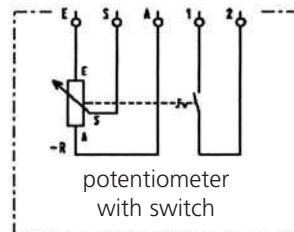
1. Rotary potentiometer with rotary ON/OFF switch
Type DPO, order-no. 51.01.019
2. Rotary potentiometer with pushbutton,
type DPOT, order-no. 51.01.020



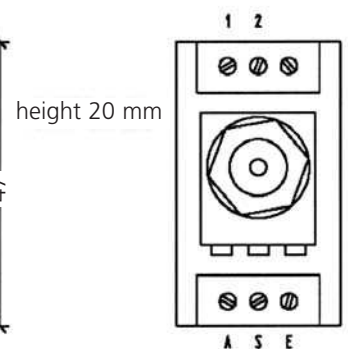
Technical data:

Characterization	Rotary potentiometer DPO, DPOT
Type	: DPO, DPOT
Order-no.	: 51.01.019, 51.01.020
Max. contact load	: 230V/2A
Ambient temperature	: max. 45°C
Terminals	: 0,5 – 2,5 mm ² , solid wire or litz wire with sleeve
Wire length	: max. 100 m
Dimensions	: WxHxD = 19x47x20 mm
Weight	: approx. 30 gr
Protective type	: IP 00
Contamination grade	: 2 (dry, non-conductive according to IEC 664, 10/92)
Requirements	: EMC met accord. To EN 61547 4/96 Low-voltage met according to IEC 669-2-1 11/94
Value of resistance	: 22/25 k Ω /lin

Wiring diagrams and dimensional drawings DPO/DPOT



DPO
Order-No.: 51.01.019



DPOT
Order-No.: 51.01.020