

# Dimmer for the control of electronic ballasts or transformers with 1-10V interface, type AQS-S

Order-No.: 50.13.112

The DIN rail control AQS-S is suitable for the control of electronic ballasts and transformers with an interface of 1-10V. It has an autonomous current supply.

Dimming is made with 0-20/0-10 V DC via an internal or external rotary potentiometer with integrated ON/OFF switch. The AQS-S is suitable for the control of up to 200 electronic ballasts or transformers with 1-10V interface.



## Control with the internal potentiometer

The rotary potentiometer at the AQS-S controls the brightness and switches ON/OFF at the left hand stop. Its switching capacity is 6 A/250V ~.

## Operation with an external potentiometer

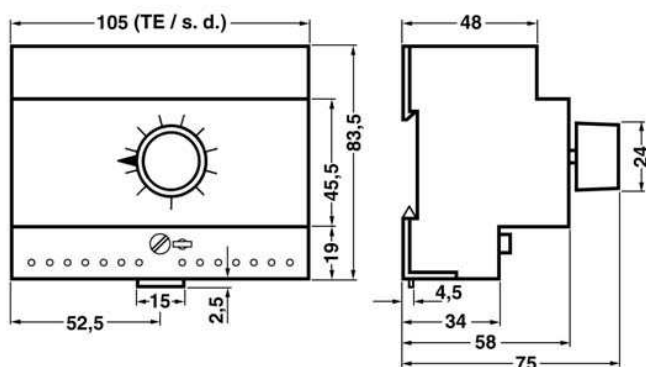
If an external potentiometer (to be mounted up to a distance of 100m) is used the potentiometer at the control always must be kept in the switch ON state. The dimmer as well as the lamps are not separated from the power supply. It therefore is recommended to switch the potentiometer at the control OFF if a dim function no longer is required.

The switch contact of the external potentiometer can be used for the control of a contactor. If a latching relay shall be operated a potentiometer with pushbutton has to be used. If a sliding potentiometer without switch is connected the switching has to be made with a separate pushbutton.

## Technical data:

Characterization	AQS-S 1-10V control
Type	: AQS-S
Order-no.	: 50.13.112
Power supply	: 230V, 50/60 Hz
Output voltage	: 1-10V
	<b>No protective low-voltage</b> (Basic isolation according to IEC 664,10/92)
Max. output current	: approx. 200 mA
Switch capacity of the integrated potentiometer	: max. 6A/250 V~
Protection	: external 6 A
Ambient temperature	: max. 45°C with natural air-convection (at vertical mounting position)
Terminals	: 0,5 – 2,5 mm <sup>2</sup> , solid wire or litz wire with sleeve
Wire length	: max. 100 m
Own consumption	: approx. 3VA
Housing	: plastic for DIN rail systems
Dimensions	: WxHxD = 105x83,5x75 mm
Weight	: approx. 400gr
Protective type	: IP 20
Contamination grade	: 2 (dry, non-conductive according to IEC 664,10/92)
Requirements	: EMC met accord. to EN 61547 4/96 Low-voltage met acc. to IEC 669-2-1 11/94

## Dimensional drawing: AQS-S



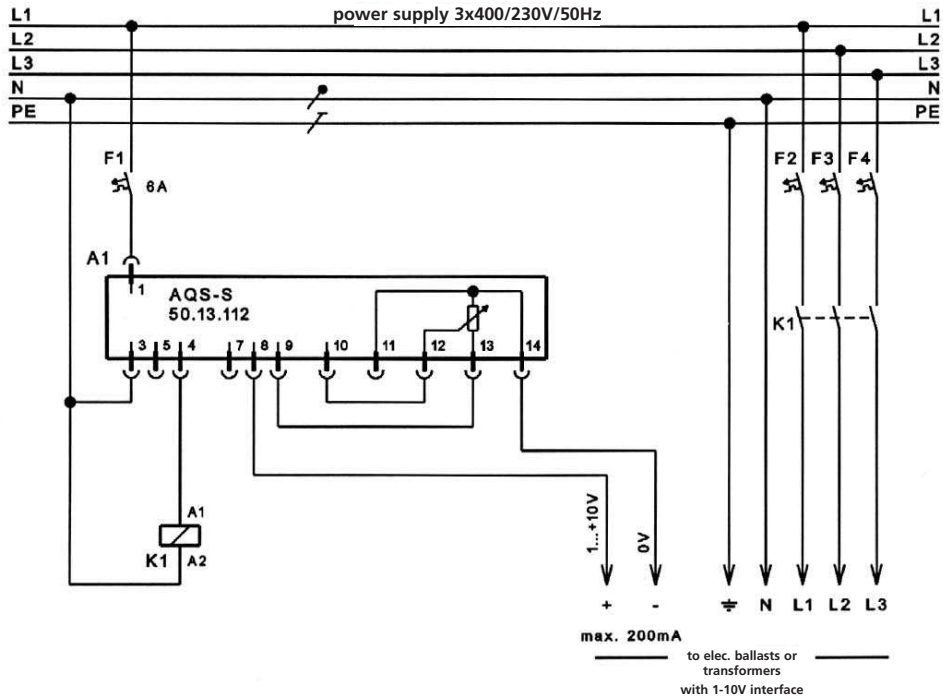
Control plates: see pages 21-27

# Wiring diagrams

Dimmer for the control of electronic ballasts or transformers with 1-10V interface, type AQS-S

Order-No.: 50.13.112

## individual control with internal potentiometer



## individual control with ON/OFF and external potentiometer

