

Double wave lighting control , type AQE2-S

Order-No.: 50.13.121

The AQE2-S is suitable for the control of 2 individual lighting groups. Each one dims up and down. While group 1 is in its brightest level group 2 arrives at its darkest level (and vice versa).

The dimmer controls up to 40 AQ dimmers with 0-10V interface or up to 200 ballasts or electronic transformers with 1-10V interface.



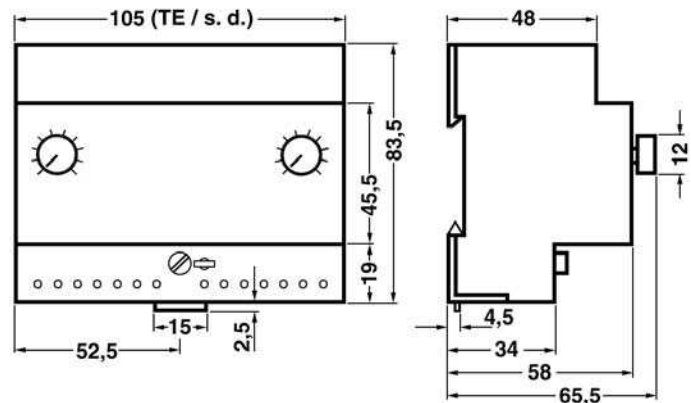
Cycle time setting

The cycle time from 'Brighter' or 'Darker' (and vice versa) can individually be set between 3 and 60 secs. with the rotary potentiometers at the control.

Technical data:

Characterization	Double wave lighting control AQE2-S
Type	: AQ E2-S
Order-no.	: 50.13.121
Power supply	: 230V, 50/60 Hz
Output voltage	: 1-10V / 10-1 V
Max. output current	: approx. 2x200 mA
Protection	: external 6 A
Ambient temperature	: max. 45°C with natural air-convection at vertical mounting position
Terminals	: 0,5 – 2,5 mm ² , solid wire or litz wire with sleeve
Wire length	: max. 100 m
Own consumption	: approx. 5VA
Control voltage	: (1-10 V) – galvanic separated No protective low-voltage (Basic isolation according to IEC 664, 10/92)
Housing	: plastic for DIN rail systems
Dimensions	: WxHxD = 105x83,5x65,5 mm
Weight	: approx. 400 gr
Protective type	: IP 20
Contamination grade	: 2 (dry, non-conductive according to IEC 664, 10/92)
Requirements	: EMC met accord. to EN 61547 4/96 Low-voltage met according to IEC 669-2-1 11/94

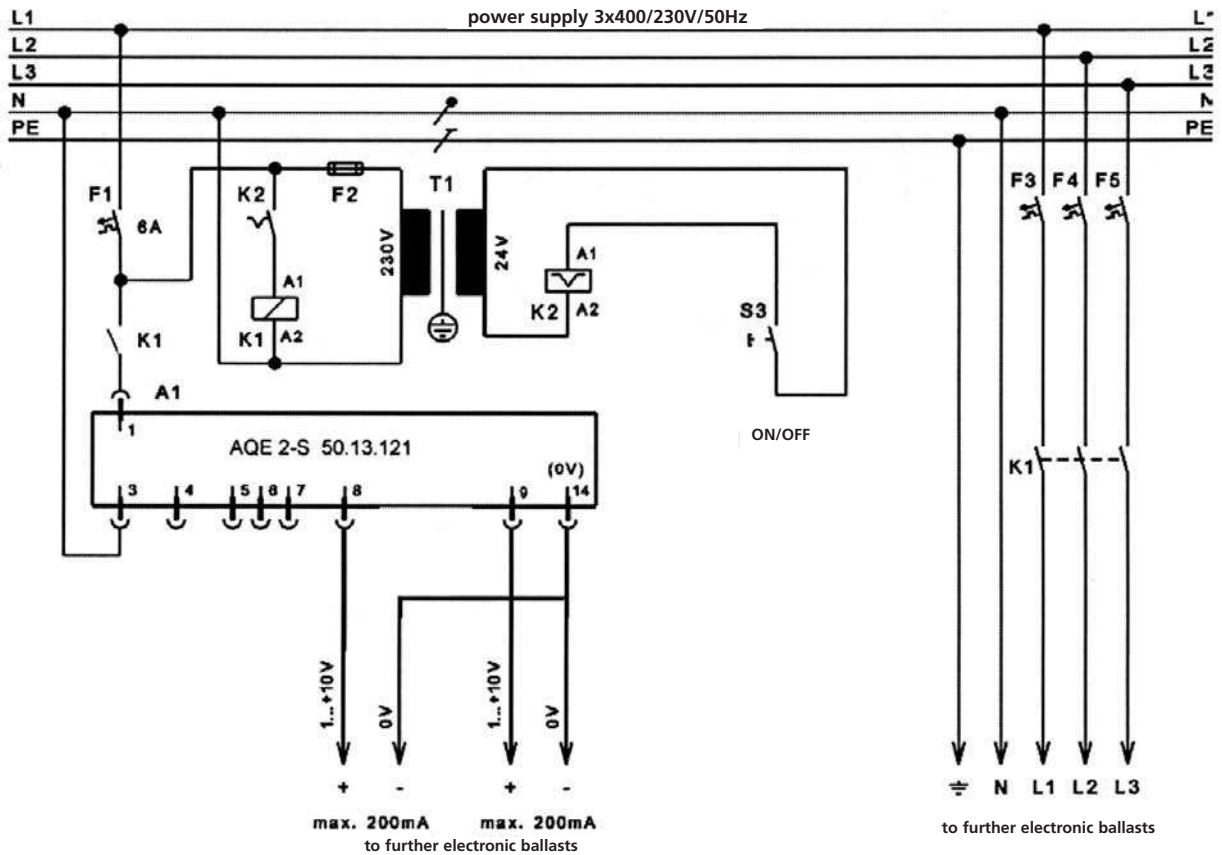
Dimensional drawing AQ E2-S



Wiring diagrams

Order-No.: 50.13.121

Double wave lighting control type AQE2-S with direct control of max. 200 electronic ballasts or transformers with 1-10V interface with ON/OFF function



Double wave lighting control type AQE2-S in connection with up to 40 AQ dimmers with ON/OFF function

