

# Phase-controlled dimmer (leading edge) **AQ 1,3 KW**

## Technical data:

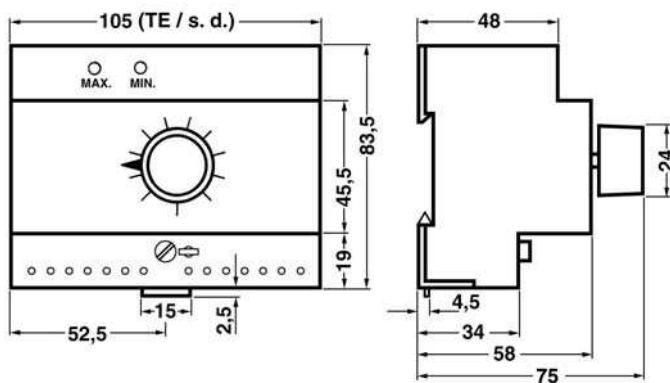
### Characterization **AQ 1,3kW**

Type	: AQ 1,3 KW
Order-No.	: 50.13.010
Power supply	: 230V~, 50 Hz
Nominal load	: 1,3 KW
Max.output current	: 5,7 A
Protection	: external MCB 6 A
Min. load	: incandescent lamps 60 W Inductive load 25 W
Ambient temperature	: max. 45 °C, natural air-convection at vertical mounting position
Terminals	: 0,5 -2,5 mm <sup>2</sup> , solid wire or litz wires with sleeve
Wire length	: max. 100 m
Own consumption	: < 1,5 % of the respectively connected load
Control voltage	: 0-10V (0-20V) galvanic separation <b>No protective extra low potential</b> (basic isolation acc. to IEC 664,10/92)
Housing	: plastic housing for DIN rail systems
Dimensions	: WxHxD = 105 x 83,5 x 75 mm
Weight	: approx. 500 gr
Noise level	: < 40 dB(A) at nominal load in a distance of 1 m
Protective type	: IP 20
Contamination grade	: 2 (dry, non-conductive, according to IEC 664,10/92)
Requirements	: EMC met according to EN 61547 4/96 Low-voltage requirements met according to IEC 669-2-1 11/94

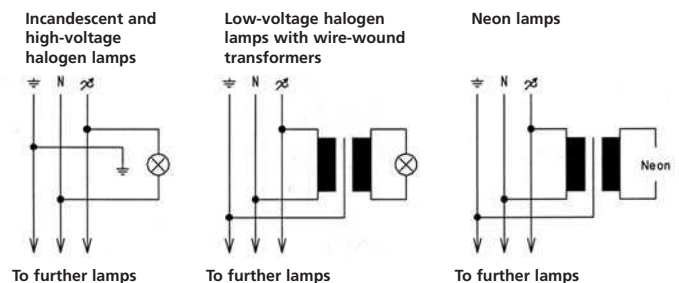
In case of audio-systems being used the following has to be observed:

- Separate safety earth for audio and dimming systems are mandatory.
- No parallel wiring between both systems (please refer to the manual).

## Dimensional drawing



## Wiring diagrams



Wiring diagrams: see also pages 14/15