



ALTENBURGER
ELECTRONIC GMBH

Office Facette

MULTI-SENSOR workplace and room lighting systems





Office Facette Mono

Single-head, single-panel floor lamp

Direct-indirect light emitting floor lamp for the room- and workplace-lighting. With flat light head, made of steel, powder-coated (silver grey, RAL 9006) with optical foil or fine-structured metal sheet with damping foil in the direct light emitting section.

Reflectors in the indirect light emitting section.

Particularly applicable for (computer-) desks, individual lighting in hospitals, libraries, galleries, exhibitions and fine-mechanical workplaces.

Modes of operation

Automatic mode with presence detection with presettable switch-off delay time (after 2 smooth steps of light reductions), daylight-dependent constant light control with preadjustment of the light level to be kept constant. Manual dimming with pushbuttons with the functions (brighter-darker-stop-on/off).

Manual mode

Pushbutton switching (ON/OFF or in 2 steps)

Components for the automatic mode

- 4 x 55 W compact fluorescent lamps
- 2 x dimmable electronic twin-ballasts
- 1 x MULTI-SENSOR-CONTROL, make ALTENBURGER
- 1 x Multi-sensor
- 1 x Setting of the delay time after presence detection
- 1 x change-over control for the semi-automatic mode (automatic mode, however with manual switch-on after end of presence detection)
- 1 x Pushbutton panel, (integrated into the pillar) for the set point adjustment as well as for the manual dimming control.

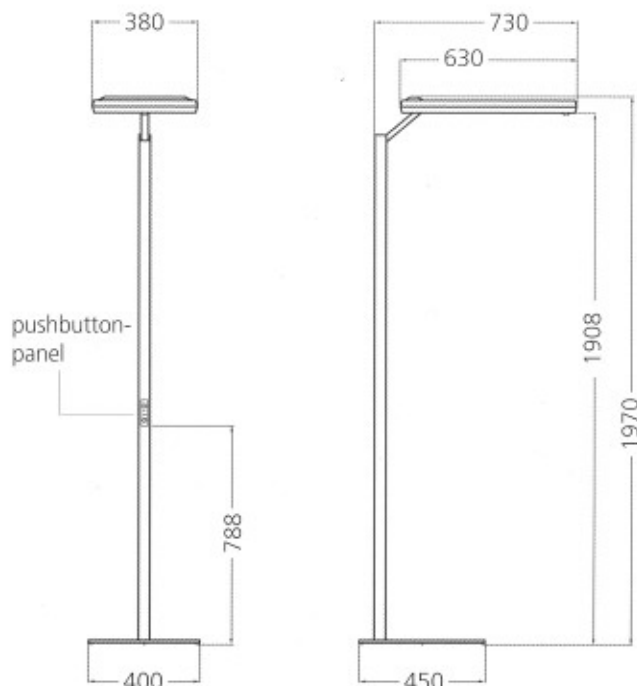


Light emitting panel section with fine-structured metal sheet and damping foil.

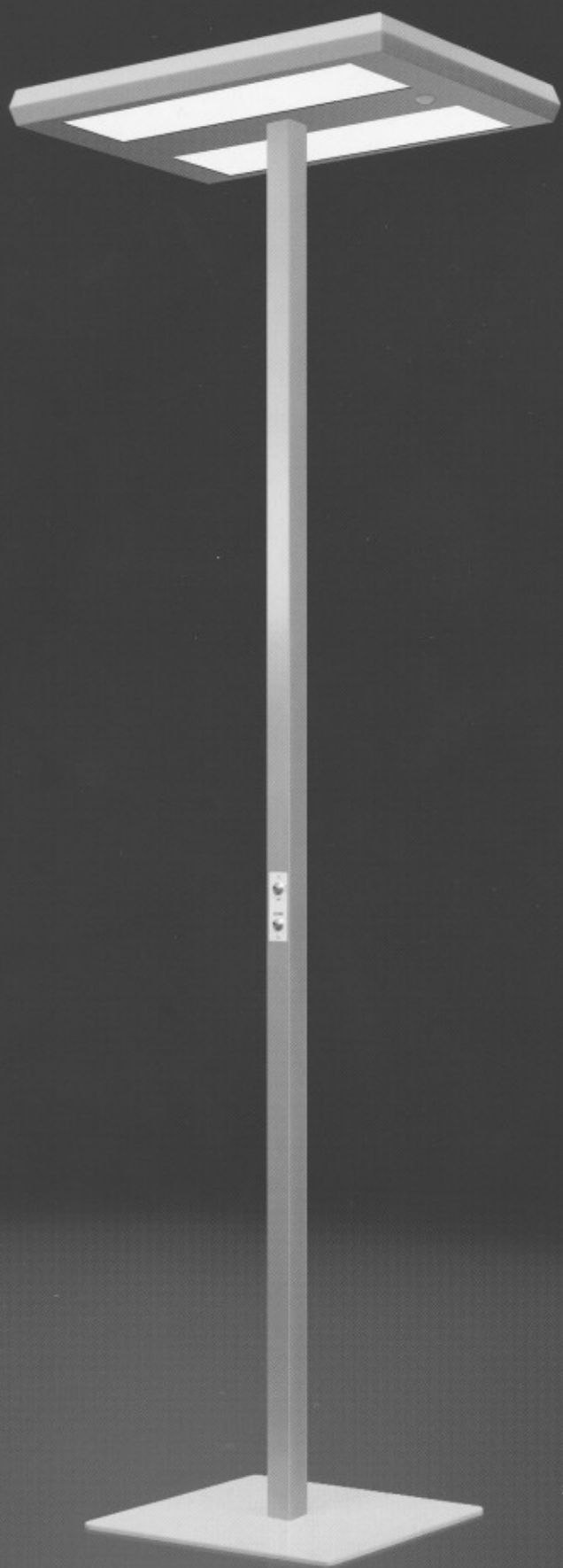
Photometric data:
please refer to
www.altenburger.de

Function	Order no.
Automatic mode	
with optical foil	42.00.501
with fine-structured metal sheet and damping foil	42.00.511
Manual mode	
with 2-step-switching	
with optical foil	42.00.201
with fine-structured metal sheet and damping foil	42.00.211
ON/OFF switching	
with optical foil	42.00.101
with fine-structured metal sheet and damping foil	42.00.111

Dimensions (mm)



◀ Floor lamp **Office Facette Mono** with automatic, **MULTI-SENSOR** mode of operation. Direct light emitting section of the panel with optical foil.



Office Facette Duo

Single-head, double-panel floor lamp

Direct-indirect light emitting floor lamp for the room- and workplace-lighting. With flat light head, made of steel, powder-coated (silver grey, RAL 9006) with optical foil or fine-structured metal sheet with damping foil in the direct light emitting panel section.

Reflectors in the indirect light emitting section.

Particularly applicable for double (computer-) desks, libraries, basic lighting in hospitals, laboratories, lobbies, waiting rooms.

Modes of operation

Automatic mode with presence detection with presettable switch-off delay time (after 2 smooth steps of light reductions), daylight-dependent constant light control with preadjustment of the light level to be kept constant. Manual dimming with pushbuttons with the functions (brighter-darker-stop-on/off).

Manual mode

Pushbutton switching (ON/OFF or in 2 steps)

Components for the automatic mode

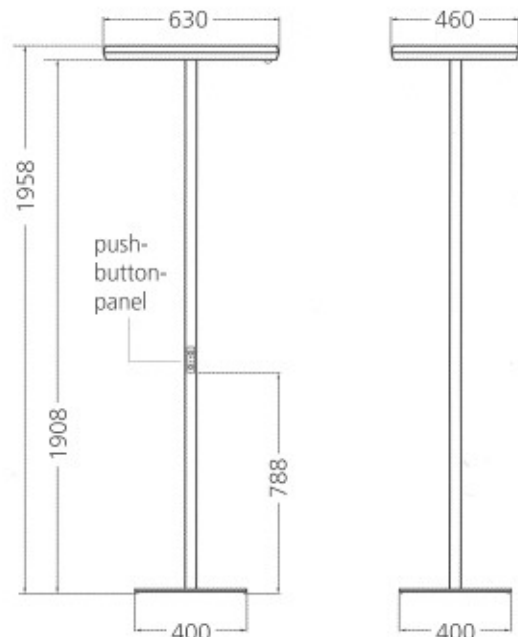
- 4 x 55 W compact fluorescent lamps
- 2 x dimmable electronic twin-ballasts
- 1 x MULTI-SENSOR-CONTROL, make ALTENBURGER
- 1 x Multi-sensor
- 1 x Setting of the delay time after presence detection
- 1 x change-over control for the semi-automatic mode (automatic mode, however with manual switch-on after end of presence detection)
- 1 x Pushbutton panel, (integrated into the pillar) for the set point adjustment as well as for the manual dimming control.



Light emitting panel section with fine-structured metal sheet and damping foil.

Photometric data:
please refer to
www.altenburger.de

Dimensions (mm)



Function	Order no.
Automatic mode	
with optical foil	42.00.502
with fine-structured metal sheet and damping foil	42.00.512
Manual mode	
with 2-step-switching	
with optical foil	42.00.202
with fine-structured metal sheet and damping foil	42.00.212
ON/OFF switching	
with optical foil	42.00.102
with fine-structured metal sheet and damping foil	42.00.112

◀ Floor lamp **Office Facette Duo** with automatic, **MULTI-SENSOR** mode of operation. Direct light emitting section of the panel with optical foil.



Office Facette Trento

Two-head Multi-sensor room lighting system

Direct-indirect light emitting floor lamp for the room- and workplace-lighting. With 2 swivelling light heads, made of steel, powder-coated (silver grey, RAL 9006) with optical foil or fine-structured metal sheet with damping foil in the direct light emitting panel sections. Reflectors in the indirect light emitting section.

Particularly applicable for double and angular placed (computer-) desks, object- and general room lighting of all kind e.g. lobbies, hotel suites, large room offices, foyers and reception halls in villas and hotels, VIP-lounges).

Modes of operation

Automatic mode with presence detection with presettable switch-off delay time (after 2 smooth steps of light reductions), daylight-dependent constant light control with preadjustment of the light level to be kept constant. Manual dimming with pushbuttons with the functions (brighter-darker-stop-on/off).

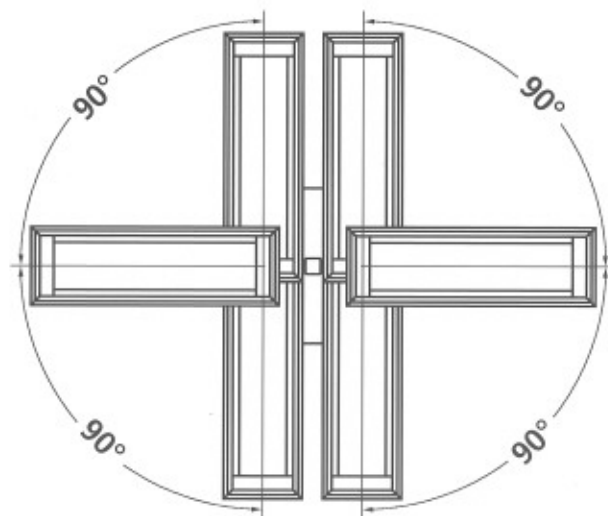
Manual mode

Pushbutton switching (ON/OFF or in 2 steps)

Components for the automatic mode

- 4 x 55 W compact fluorescent lamps (2 lamps per head)
- 2 x dimmable electronic twin-ballasts
- 1 x MULTI-SENSOR-CONTROL, make ALTENBURGER
- 1 x Multi-sensor
- 1 x Setting of the delay time after presence detection
- 1 x change-over control for the semi-automatic mode (automatic mode, however with manual switch-on after end of presence detection)
- 1 x Pushbutton panel, (integrated into the pillar) for the set point adjustment as well as for the manual dimming control.

Swivelling range of the 2 light heads

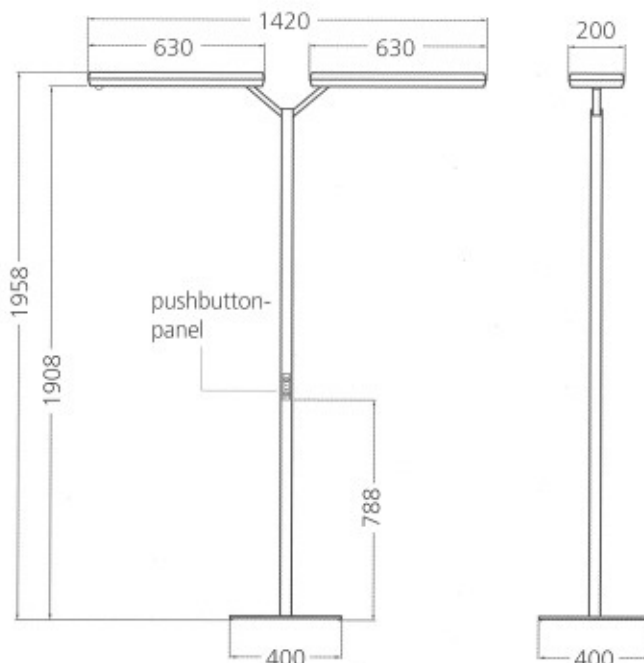


Top view

Light emitting panel section with fine-structured metal sheet and damping foil.

Photometric data:
please refer to
www.altenburger.de

Dimensions (mm)



Function	Order no.
Automatic mode	
with optical foil	42.00.503
with fine-structured metal sheet and damping foil	42.00.513
Manual mode	
with 2-step-switching	
with optical foil	42.00.203
with fine-structured metal sheet and damping foil	42.00.213
ON/OFF switching	
with optical foil	42.00.103
with fine-structured metal sheet and damping foil	42.00.113

◀ Floor lamp **Office Facette Trento** with automatic, **MULTI-SENSOR** mode of operation. Direct light emitting section of the panel with optical foil.

ALTENBURGER ELECTRONIC GMBH

D-77960 Seelbach/Germany, phone (x)-7823-509-0, Fax (x)-7823-2761 or (x)-7823-50997
email: info@altenburger.de, www.altenburger.de